

AQUATOP
BREZA[™]
 PROGRAMMABLE AIR PUMP
 WITH BATTERY BACKUP

INTRODUCTION

Aquatop's BREZA AC/DC-PLUS Air Pump is an essential piece of equipment for aquarists of all levels. With the included AC power supply, the AC/DC-PLUS can be used as a standard aquarium air pump, but also offers an ingenious design which combines an AC power failure sensor with integral back-up battery power! In the unfortunate event of a power outage or when the standard electrical connection is lost, our battery powered air pump automatically switches over to back-up battery power when the AC power sensor cord is plugged in, providing a temporary lift support system for your aquatic creatures.

The BREZA AC/DC-PLUS' versatile design also makes it a portable air pump, perfect for fish bait buckets or for transporting aquatic creatures. The BREZA AC/DC-PLUS Air Pump will help keep your fish alive and healthy each day and will protect your aquarium's inhabitants during a power outage, even if you're not around to turn it on.

SET-UP INSTRUCTIONS

When used with AC power:**Standard Air Pump Mode:**

- A. Plug the power sensor cord into section B shown in Figure 2, then plug the other end into a power outlet. Once the LCD screen is lit up, the display will show ON (See Figure 3, #3). The air pump will begin pumping air at the maximum air output volume (Default Setting). Touch and hold the power key for 2 seconds to turn OFF the unit while the LCD screen is lit up. The air pump will stop, and the power will be turned OFF.
- B. As shown in Figure 3, #7 & 8, the +/- keys can be used to control the air output volume with a total of 18 intensity levels depending on the users' requirements.

Emergency Back-up Mode:

Plug the power sensor cord into section B shown in Figure 2, then plug the other end into a power outlet. The air pump will automatically power ON. Touch the power key once to turn the unit off (See Figure 3, #4). The air pump will automatically enter Emergency Back-up Mode in which there will be no air output at all. In the unfortunate event of a power outage or when the standard electrical connection is lost, the air pump automatically switches over to back-up battery power and will be set at the 15th Output Level with Intermittent Mode 2 (Default Setting).

When used with DC battery power:

Note: Please ensure that the rechargeable lithium battery is fully charged before performing the following set-up operations.

- A. As shown in Figure 1, touch and hold the power key symbol located on the lower left corner of LCD screen for approximately 2 seconds to turn the unit ON. Once the LCD screen is lit up, the display will show ON (See Figure 3, #3). The air pump will begin pumping air at the maximum air output volume (Default Setting). Touch and hold the power key for 2 seconds to turn OFF the unit while the LCD screen is lit up. The air pump will stop, and the power will be turned OFF.

To guard against injury, basic safety precautions should be observed, including the following:

READ ALL SAFETY INSTRUCTIONS BEFORE USE.

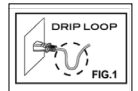
DANGER To avoid possible electric shock, special care should be taken since water is employed around the use of this product. For each of the following situations, do not attempt to repair yourself: return the appliance to an authorized service facility for service or discard the appliance.

NOTE: It is your sole responsibility to verify that the plug and the receptacle are clean and free of moisture and salt buildup at all times. The receptacle must be free of water, salt, calcium, magnesium and dust. Failure to do so can cause fire, damage to property, and permanent damage to the product and personal injury not limited to loss of life.

NOTE: Before installing the unit, check for any signs of damage to the device. If there are any signs of damage to the device, power cable or plug, do not use and return to place of original purchase.

SAFETY INFO

1. A drip loop must be used with all electrical aquarium devices. A drip loop is a self-made part of the cord hanging below the receptacle. (See Fig.1).
2. A GFCI (Ground Fault Circuit Interrupter) should be used in the branch circuit supplying all power to water pumps and electrical aquarium equipment. If you do not have a GFCI, we strongly recommend having a qualified electrician install one prior to operating any aquarium component.
3. Do not plug into extension cord/power strip.
4. Use this product for its intended use only.
5. Never yank or pull the cord from the electrical outlet.
6. Do not operate if the plug or wire is damaged.
7. Verify that hands are dry prior to disconnecting the power.
8. To reduce the risks of electrocution, keep all connections dry.
9. For indoor use only when using AC power supply.
10. In case of product malfunction In the event of product malfunction return the unit to the vendor of original purchase.
11. Check device for any signs of damage before use.
12. Do not use soaps or detergents when cleaning this device. Thoroughly clean and rinse with warm water and make sure the device is completely dry before connecting.
13. Keep this product away from children.



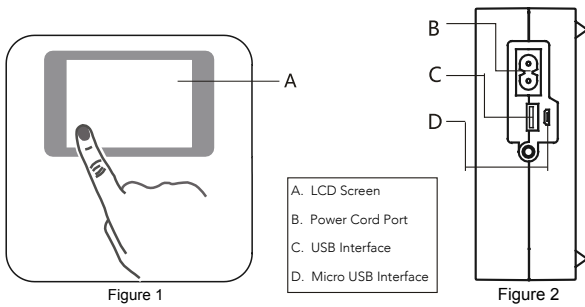
SET-UP INSTRUCTIONS (CONT'D)

- B. As shown in Figure 3, touch the Mode Key (#9) to select Continuous Mode or Intermittent Mode. There will be no number displayed while in Continuous Mode, while the display will show the numbers 1-4 while in Intermittent Mode (See Fig. 3 #5).
 Intermittent Mode 1: The air pump turns on for 2 minutes, then pauses for 1 minute.
 Intermittent Mode 2: The air pump turns on for 2 minutes, then pauses for 2 minutes.
 Intermittent Mode 3: The air pump turns on for 2 minutes, then pauses for 4 minutes.
 Intermittent Mode 4: The air pump turns on for 2 minutes, then pauses for 6 minutes.

- C. As shown in Figure 3, the +/- keys can be used to control the air output volume with a total of 18 intensity levels depending on the users' requirements.

Note: The screen display will automatically lock after 10 seconds without any activity. To unlock the screen, press any key for 1 second in order to change the settings, or to power the unit OFF.

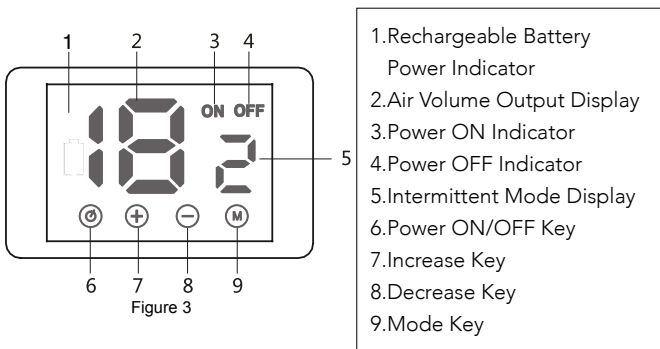
- Intermittent Mode 1: 22.5 Hrs
- Intermittent Mode 2: 30H (Default)
- Intermittent Mode 3: 37.5 Hrs
- Intermittent Mode 4: 45 Hrs
- Continuous Mode: 15 Hrs



WHAT'S INCLUDED



SPECIFICATIONS



Model	Voltage	Power	Output	Pressure	Battery Capacity
ACDC-PLUS	AC90-260V	2W DC 5V 600mAh	1800cc/ min x 2	0.022MPa	4400mAh

WARRANTY INFORMATION

AQUATOP EXCLUSIVE 1 + 1 EXTENDED WARRANTY

AQUATOP 1 YEAR LIMITED WARRANTY

Products are warranted by AQUATOP® Aquatic Supplies to the original purchaser against defective material and workmanship under normal use for a period of 1 year from the date of the original purchase. Products have no warranty if: 1.) The product has been serviced, modified or tampered with by anyone other than AQUATOP Aquatic Supplies, 2.) The product has been abused or damaged (including broken or cracked bulbs), and/or 3.) The product has been transported without proper packaging.

WARRANTY LIABILITY DISCLAIMER

In no event will Aquatop® be liable for any consequential or incidental damages, including but not limited to, lost sea life, personal injury, property damage, equipment damage, lost profits, lost wages, lost savings, lost income, etc., arising out of the use of any Aquatop Heater.

For more information on tank health and maintenance as well as other products carried by Aquatop, visit our website: www.aquatop.com

The additional 1 Year Extended Warranty applies when you REGISTE onlinewith Aquatop. Register your Extended Warranty at www.aquatop.com

Note: Extended warranty is available for qualifying products. See www.aquatop.com for a list of qualifying products.

1.0. Terms and Conditions of Guarantee.

- 1.1. Aquatop warrants to the purchaser, for 1 Year from date of original purchase through an Authorized Aquatop Reseller, to repair or replace goods where fault is found due to defective materials or faulty workmanship and where goods do not operate in accordance with the instructions.
- 1.2. All claims for repair or replacement must be made at place of purchase.
- 1.3. The original and dated Proof of Purchase (receipt) must be supplied with all goods claims. Please also provide this Guarantee where possible.
- 1.4. The Guarantee covers the Aquarium against gluing breakdown resulting in leakage.
- 1.5. All goods subject to claim under Guarantee should be prepared for transportation in the original packaging or other comparable packaging which offers the same degree of protection.
- 1.6. Where goods are repaired or replaced under Guarantee, these goods are Guaranteed for the remainder of either the original Guarantee or Extended Guarantee period.
- 1.7. Where claims on inspection reveal goods are in normal working order, Aquatop will request reimbursement of all reasonable costs incurred.

For more information on tank health and maintenance as well as other products carried by Aquatop, visit our website: www.aquatop.com
 775 Columbia St. Brea, CA 92821
 Tel: (888) 915-27821 (562) 697-9860
www.aquatop.com
 V1 /2019